



ARCHITECTURAL POTTERY

Fire Pits (Automated) Model 100A

INSTALLATION GUIDE OPERATING AND MAINTENANCE INSTRUCTIONS

For your safety:

If you smell gas:

1. Shut off gas to appliance
2. Extinguish any open flame near unit
3. If odor continues, immediately call your gas supplier

For your safety:

Do not store or use gasoline or other flammable vapors and/or liquids in the vicinity of this or any other appliance.

This manual should remain with the homeowner or parties responsible for operation.

(RevH)

Table of Contents

Gas and Electrical Requirements	Page 3
Installation of Fire Pit	Page 3
Burner Setup and Adjustment	Page 6
Maintenance	Page 8
Operation	Page 9
Spare Parts	Page 9
Troubleshooting Guide	Page 10
Control Panel Wiring Diagram	Page 11
Burner Assembly Wiring Diagram	Page 12

1.0 Gas and Electrical requirements:

- 1.1 Input Voltage: 120 Vac / 60 Hz to Architectural Pottery Control Panel
- 1.2 Gas type: Natural Gas Propane
- 1.3 Gas Pressure: Nominal: 7" wc 11"wc

- 1.4 Gas flow: 1 Burner System: 80,000 Btu

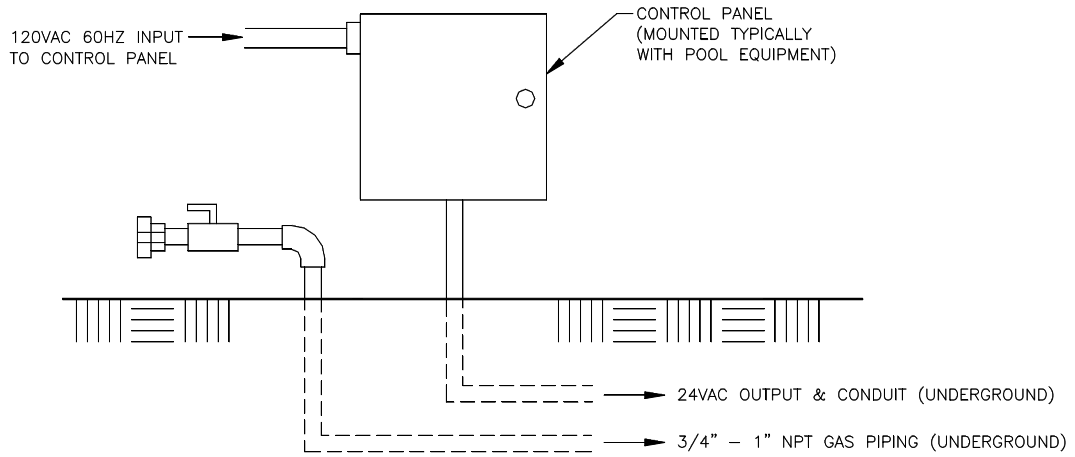
Note: Check with your gas supplier to verify gas flows and pressures available at the location of your installation. In many cases utility companies will install larger meters at no charge to accommodate larger flows.

2.0 Installation for Fire Pit Insert

Warning: This unit is for outdoor use only

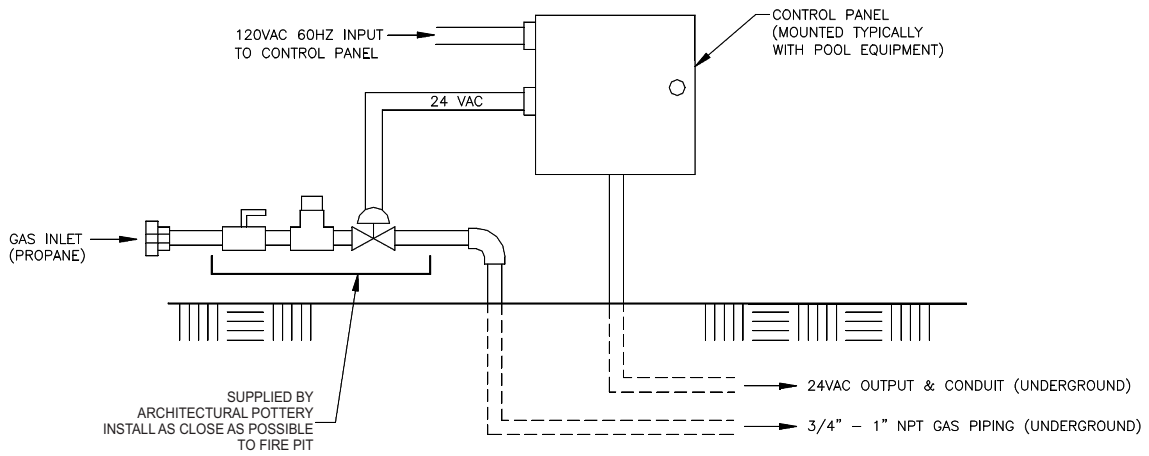
**Recommended CSA/AGA Clearances: Sides 4 ft/Top 6ft
unit is for outdoor use only**

- 2.1 Do not install near any combustibles such as wood structures, fuels, clothing, fabrics or dry vegetation.
- 2.2 Install Burner Assembly well out of the way of pedestrian traffic.
- 2.3 Installation shall be performed by a licensed contractor. All aspects of installation must conform to local or National codes, or in the absence of codes, with National Fuel Gas Code ANZI Z223.1.
- 2.4 The Control Panel and approved manual gas valve shall be located where they can be easily accessible so that the gas can be shut off quickly in case of an emergency.
- 2.5 Install the Control Panel and gas piping as shown in Fig. 1(Natural Gas) or Fig. 2 (Propane Gas) or Fig. 3 (Commercial Installation). Gas lines must be clean and free from any dirt, debris or contamination
- 2.6 A gas pipe elbow must be installed on gas line for proper installation of gas hose. (See Fig. 4) Do not kink or make tight radius bend on gas hose.
- 2.65 Note that piping is different for propane than natural gas as shown in Fig. 1 and Fig. 2
- 2.7 Low voltage 14 or 16ga wiring (24Vac) shall be installed underground between the Control Panel and the Burner Assembly. Wire per Architectural Pottery Control Wiring Diagram. 120v source into Control Panel can come from any 120v source, including pool controller or home system. Typically, the pool controller is the device that turns the unit on/off. If a pool controller is not available, Architectural Pottery Control can provide a hand held remote system or an electrician can wire a decorative switch for on/off control upstream of the Architectural Pottery Control Control Panel.
- 2.8 Maintain good piping practice by keeping pipe length and elbows to a minimum to eliminate unnecessary pressure drops. (Do not use any corrugated flexible gas line).
- 2.9 On commercial installations, it is recommended to install a keyed switch and kill switch located in close proximity and in visible sight of feature or features. The keyed and kill switches are supplied by others.



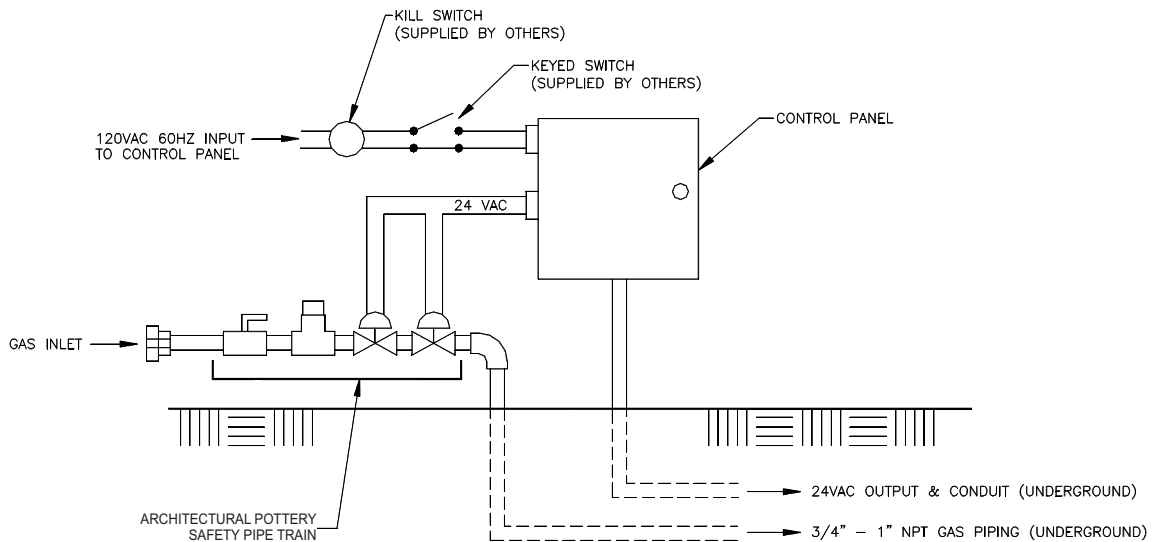
Set up for Natural Gas

Fig. 1



Set up for Propane Gas

Fig. 2



(Commercial Installation)

Fig. 3

Important: Do not kink or make sharp radius on metal gas hose. Do not come straight up with gas hose. As shown below, a 90 gas pipe elbow must be installed on gas line for proper installation of gas hose. If not installed with elbow as shown below, product warranty will be void.

3.0 Installation for Fire Pit Features

(48" Geo round - aka 48" Essex, 42" Geo Square, 48" Legacy Round, 42" Legacy Round, 42" Legacy Square, 42" Biltmore)

Note: 48" Geo Round aka 48" Essex, 48" Legacy Round, 42" Legacy Round requires installation of Archpot Mounting Bracket

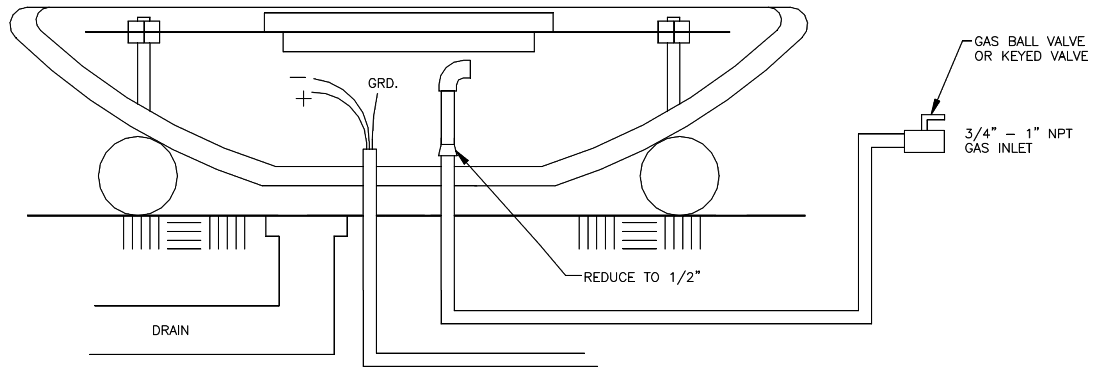


Fig. 7

5.0 **Burner Setup and Adjustment**

- 5.1 With the upstream gas valve in the “closed” position and 110Vac coming into the Control Panel, turn the switch located in the panel to the “On” position.
- 5.2 At the Burner Assembly, check that the spark electrode is arcing across the gap. You should be able to hear and see the electrode spark. If there is no spark, make sure that the Burner Assembly is receiving 24vac from the Control Panel.
- 5.3 Open the upstream gas valve.
- 5.4 In the Control Panel, turn the switch to the “On” position.

Note: At this time the Burner Assembly should ignite.
 If it does not light, it may be a result of air in the gas line.
 Purging the air from the gas line may be required.

Caution: When purging air from a propane system, disconnect wires going to Burner Assemblies (terminals X1/X2) located in Architectural Pottery Control. There should be no power at Burner Assemblies when purging Propane. Propane Adder valve should remain wired and energized when Purging. After purging is complete, make sure area is vented and free from built up gas. Reinstall wires at X1/X2 terminals, thus providing to Burner Assemblies.

5.0 Burner Setup and Adjustment

Note: Each Burner should have a flame height of 12” – 15” from the top of the Pit. If the Burner is adjusted to low, it will create an unstable pilot, resulting in possible On/Off cycling.

- 5.1 With the upstream gas valve in the “closed” position and 110Vac coming into the Control Panel, turn the switch located in the panel to the “On” position.
- 5.2 At the Burner Assembly, check that the spark electrode is arcing across the gap. You should be able to hear and see the electrode spark. If there is no spark, make sure that the Burner Assembly is receiving 24vac from the Control Panel.
- 5.3 Open the upstream gas valve.
- 5.4 In the Control Panel, turn the switch to the “On” position.

Important: At this time the corresponding Fire Pit should ignite. If Burner does not light, it may be a result of air in the gas line. If this happens, carefully purge the air from the gas line by disconnecting gas hose from Burner Assembly. End of gas hose should be outside of bowl when purging air from gas line.

Caution: When purging air from a propane system, disconnect wires going to Burner Assemblies (terminals X1/X2) located in Architectural Pottery Control. There should be no power at Burner Assemblies when purging Propane. Propane Adder valve should remain wired and energized when Purging. After purging is complete, make sure area is vented and free from built up gas. Reinstall wires at X1/X2 terminals, thus providing power to Burner Assemblies.

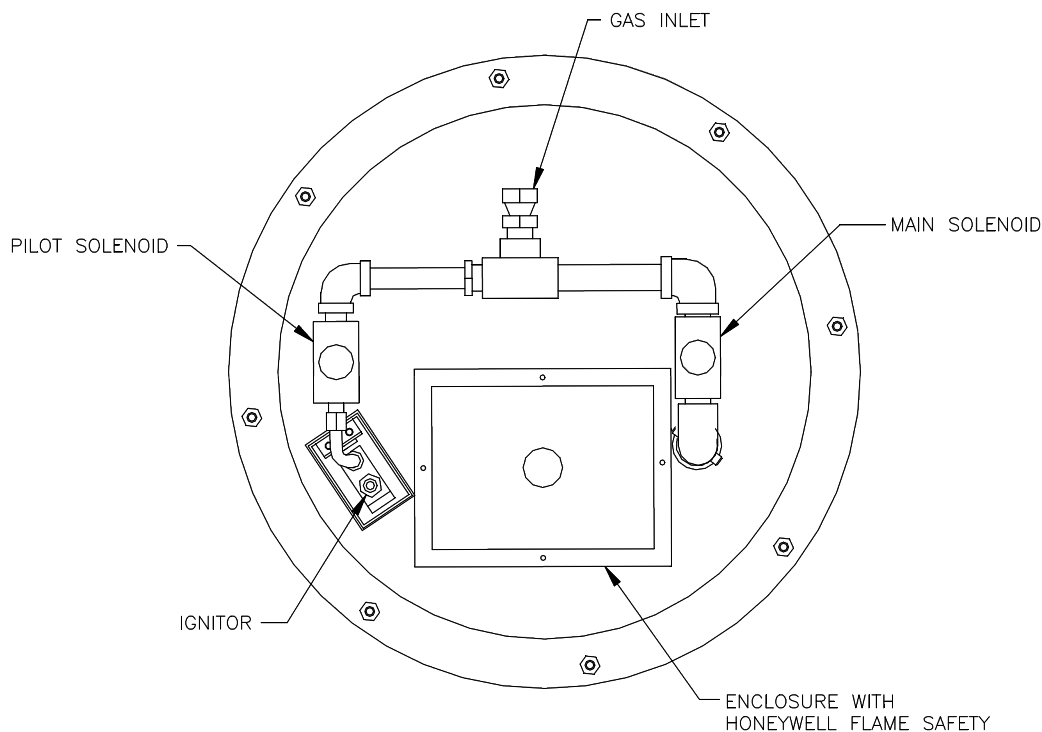


Fig. 8
(View is from bottom side of Burner Assembly)

- 5.5 After the “Burner Assembly” has been lit, it can now be adjusted for flame size.
- 5.6 The height of the flame can be adjusted by opening or closing the customer ball valve as shown in Fig. 1 and Fig. 2. On propane installation you can adjust valve provided with propane adder. Flame height should be adjusted to 10”-12”. More flame height can result in overheating of the burner.
- 5.7 Install decorative rock or glass on top of “Burner Support” and “Burner Assembly”. Larger lava rock is recommended (2”-4” in size). It will work better than smaller rock. Make sure that all rock is clear of the pilot area and hood area. Pilot Hood area needs to remain clear of rock for proper operation.
- 5.8 Note: **Do not use glass with propane installations.** (If you use glass with natural gas, you will need to lay down stainless mesh screen to prevent the glass from falling through. Do not cover Burner Assembly with thick layer of glass, glass thickness should be just enough to cover Burner Assembly and Support Plate. Fire Glass requires a Glass Pilot Hood, which is different than standard Pilot Hood used with lava rock. Please consult Architectural Pottery Glass Install Manual. If you use ¼” pieces of lava it should be treated as a glass installation.

IMPORTANT: Do not use fire glass with propane installations!!

CAUTION!! Use only approved decorative media to cover burner assembly.

Lava and Tumbled Lava/Ceramic Stone and Fire Glass are all accepted media. However, use caution when in immediate area, pieces may pop or explode when exposed to heat or when wet and exposed to heat.

6.0 Maintenance

- 6.1 Periodically clean the Burner Assembly with a wet cloth or cleaning solution to remove carbon build-up.
- 6.2 Frequency of the cleaning will depend on usage.
- 6.3 Periodically inspect the underside of the Burner Assembly for any signs of excessive temperatures.
- 6.4 Check that all gas connections are tight.
- 6.5 The units should be cycled frequently (especially after a rain). The Burner Assemblies will not work in snow and ice conditions. They should be covered or removed for storage in snow and ice conditions. The Units should not be operated in high wind conditions. High winds can limit the cooling air required for cooling of the Burner Assembly.
- 6.6 Gas should be securely shut-off during non use.

Note: If any problems are present, consult a licensed heating specialist or call Architectural Pottery.

7.0 Operation

Warning: This unit is for outdoor use only

For your safety:

1. If you smell gas, shut off Gas Valve immediately.
2. Extinguish any open flame.
3. If odor continues, immediately call your gas supplier.
4. Do not store or use gasoline or other flammable vapors and / or liquids in the vicinity of this appliance.
5. Do not leave flame on while unsupervised.
6. Do not operate in windy or rainy conditions. If this is done, unit will cycle on and off automatically.
7. Unit should be operated only by a responsible adult.
8. When in use, an open flame is present, therefore, use with extreme care and at your own risk.
9. Before any inspection of the unit, always turn off power and gas supply at the Control Panel.
10. If you experience problems with this unit, call Architectural Pottery or a licensed heating professional. All work on this unit shall be performed by a licensed heating professional.

Caution! Before you turn on the Architectural Pottery System, make sure that it is clear of people, animals or any objects that are combustible.

Operating Instructions:

To turn unit "On":

1. Turn Burner Power "On".

To turn unit "Off":

1. Turn Burner Power "Off".

Note: If Burner fails to light, turn corresponding Burner Switch in the Control Panel to the "Off" position then to the "On" position. This will initiate a new trial for ignition.

8.0 Spare Parts

1/4" Pilot Solenoid
3/8" Main Solenoid
Ignition Module

Model 100/100A Burner Assy.

Main Burner Does Not Light (No Spark)

- 1) Remove rock/glass away from pilot area
- 2) Remove Pilot Hood (Look for small pieces obstructing pilot)
- 3) If still no spark, confirm that you have 24vac out of Panel and at Burner (measure voltage on terminals L, N)
- 4) If you have voltage going out to Burner, but no spark -Replace Control Module (Look for excess heat on module)
- 5) If you have no voltage out of Panel, Reset fuse button on transformer and breaker switch, Confirm 110v going into panel on terminals L, N
- 5) If you have 110 V on L, N and Fuses check OK, but still no 24 v output on X1,X2, replace transformer

Spark (But No Pilot)

- 1) Remove rock/glass away from pilot area
- 2) Remove Pilot Hood (Look for small pieces obstructing pilot)
- 2) Confirm if gas is coming out of pilot, you can hear it. (use BBQ Lighter to determine if gas is coming out of pilot)
- 3) If no pilot gas, check that gas is turned on.
- 4) Pilot orifice may be plugged. Replace orifice or complete pilot assembly
- 5) If still no gas, pilot valve may not be opening. Turn gas off and confirm if Pilot Solenoid is energizing
- 6) If not energizing-replace Control Module, if it is energizing-clean out Pilot Solenoid

Burner Goes ON/OFF

- 1) Is it going off because of wind? If so, how windy-slight breeze-gusty?? (If wind, rotate Burner Assy in bowl, or add 3.5" x 17" Wind Band)
- 2) Remove rock/glass away from pilot area (Does it get better?) How much glass? Thin down glass on burner assy
- 3) Remove all Rock/Glass from Burner Assy. (Does Problem go away?)
- 5) Is main flame adjusted to low? (If Burner is adjusted to low, pilot will be to small and unstable)
- 6) If burner shuts off after a 30-4min period and then goes off and does not come back on (Replace Control Module)

Pilot comes on but no main burner

- 1) On Model100 Burner Assy, confirm that red handled ball valve underneath burner is open
- 2) If possible confirm that main gas solenoid is energizing, if not replace Control Module
- 3) Main Burner Solenoid may have to be replaced if buzzing

Main Burner or Pilot does not shutoff

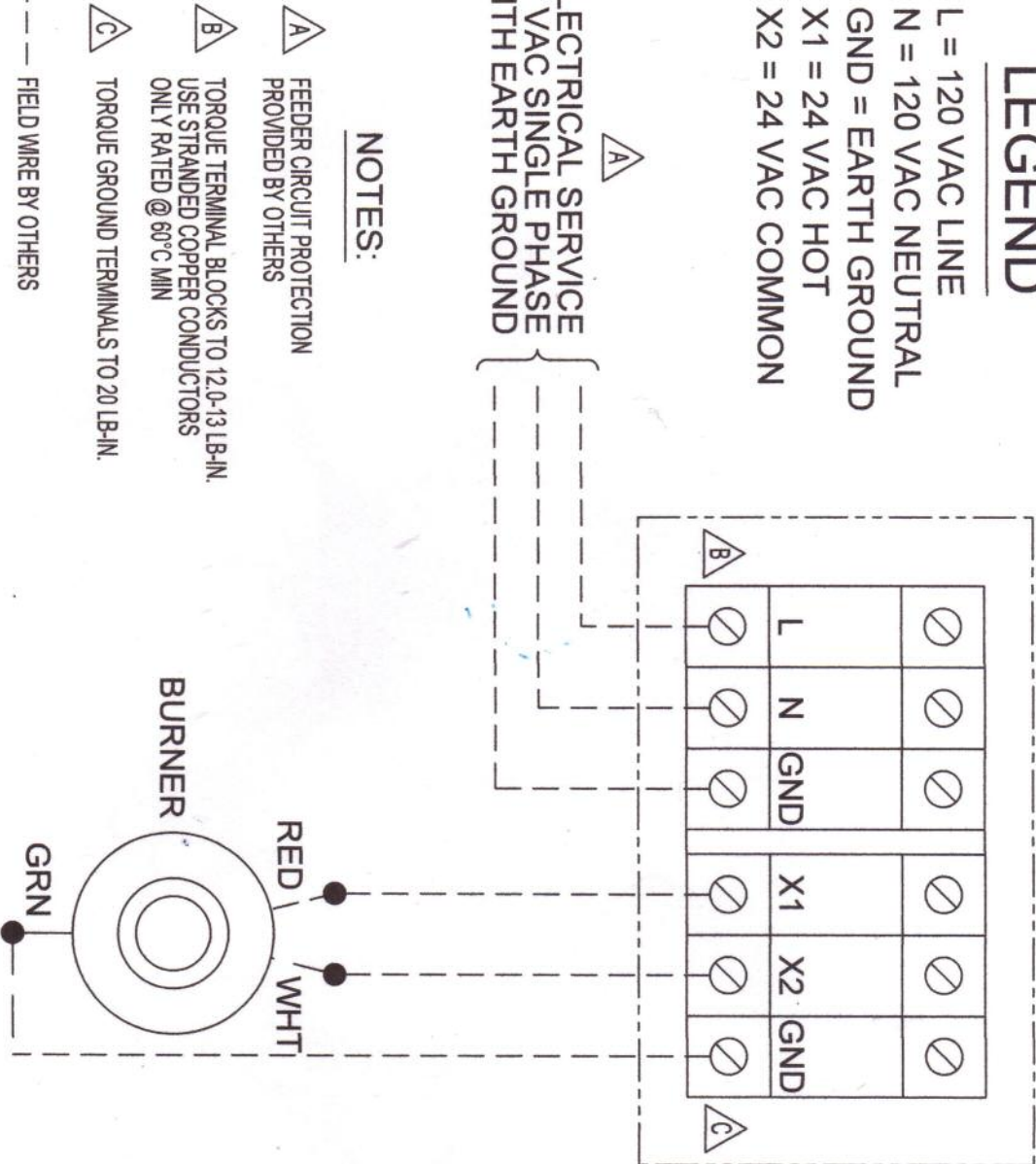
- 1) Remove Solenoid Coil and clean inside of solenoid (looking for contaminants)

CPWD-1

LEGEND

- L = 120 VAC LINE
- N = 120 VAC NEUTRAL
- GND = EARTH GROUND
- X1 = 24 VAC HOT
- X2 = 24 VAC COMMON

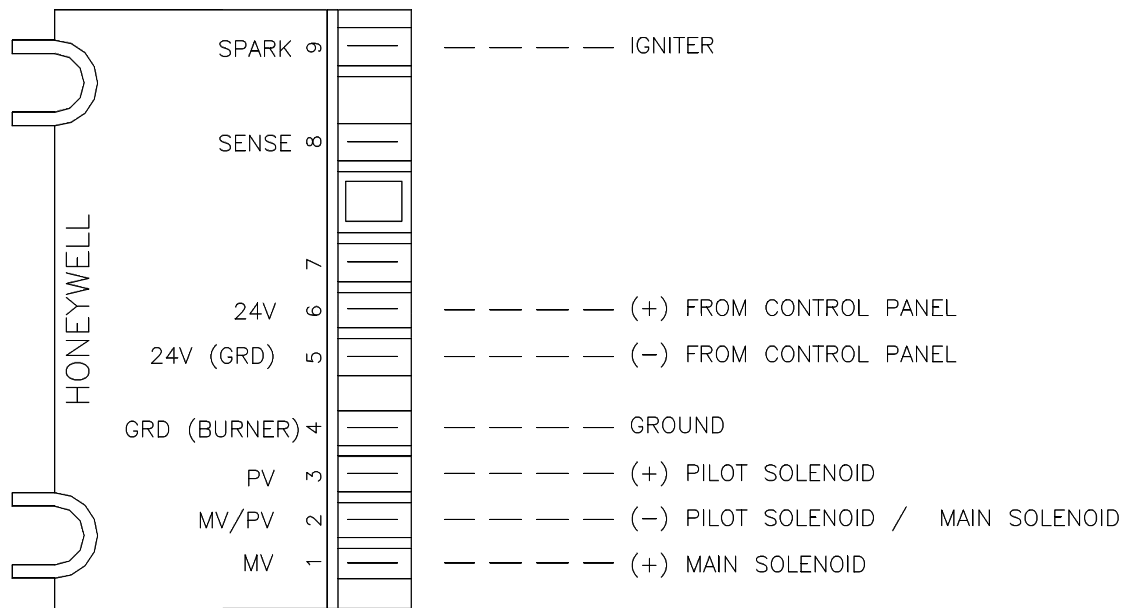
ELECTRICAL SERVICE
120 VAC SINGLE PHASE
WITH EARTH GROUND



TERMINAL STRIP IN
 ARCHITECTURAL POTTERY
 CONTROL PANEL

NOTES:

- A** FEEDER CIRCUIT PROTECTION PROVIDED BY OTHERS
 - B** TORQUE TERMINAL BLOCKS TO 12.0-13 LB-IN. USE STRANDED COPPER CONDUCTORS ONLY RATED @ 60°C MIN
 - C** TORQUE GROUND TERMINALS TO 20 LB-IN.
- FIELD WIRE BY OTHERS
- THIS PANEL ENCLOSURE IS RATED NEMA 3R. TO PRESERVE RATING USE NEMA 3R CONDUIT ENTRY HUBS



ARCHITECTURAL POTTERY
 BURNER ASSEMBLY
 ELECTRICAL DRAWING

ARCHITECTURAL POTTERY

1 year Limited Residential Warranty / 6 months Commercial

Architectural Pottery will replace, at its expense, any unit, which in normal use, has proven to be defective in workmanship or material, provided that the customer returns the product prepaid to Architectural Pottery with proof of product within one year and provides Architectural Pottery with reasonable opportunity to verify the alleged defect by inspection. Architectural Pottery will not be responsible for any asserted defect, which has resulted from misuse, abuse, repair or alteration. Under no circumstances will Architectural Pottery be liable for incidental or consequential damage resulting from defective products. This warranty is Architectural Pottery's sole warranty and sets forth the customer's exclusive remedy, with respect to defective products, all other warranties, expressed or implied, whether of merchantability, fitness for purpose or otherwise, are expressly disclaimed by Architectural Pottery. Architectural Pottery is not responsible for any injury or mishap related to misuse, abuse or lack of judgment choosing fire display locations.



ARCHITECTURAL POTTERY

15161 Van Buren Street, Midway City, CA 92655

Phone: 714.895.3359 • Fax: 714.898.5109

www.archpot.com