



ARCHITECTURAL POTTERY

Fire Bowls (Manual) Model 100-M

INSTALLATION GUIDE OPERATING AND MAINTENANCE INSTRUCTIONS

For your safety:

If you smell gas:

1. Shut off gas to appliance
2. Extinguish any open flame near unit
3. If odor continues, immediately call your gas supplier

For your safety:

Do not store or use gasoline or other flammable vapors and/or liquids in the vicinity of this or any other appliance.

This manual should remain with the homeowner or parties responsible for operation.

Table of Contents

Gas Requirements	Page 3
Installation	Page 3
Operation	Page 6
Maintenance	Page 7

1.0 Gas Requirements:

1.1	Gas type:	<u>Natural Gas</u>	<u>Propane</u>
1.2	Gas Pressure:	Nominal: 7" wc	11" wc
1.3	Gas flow:	1 Bowl system:	60,000-80,000 btu/hr

Note: Check with your gas supplier to verify gas flows and pressures available at the location of your installation. In many cases utility companies will install larger meters at no charge to accommodate larger flows.

2.0 Installation

Warning: This unit is for outdoor use only

- 2.1 Do not install near any combustibles such as wood structures, fuels, clothing, fabrics or dry vegetation.
- 2.2 Installation shall be performed by a licensed contractor. All aspects of installation must conform to local or national codes, or in the absence of codes, with Natural Fuel Gas Code ANZI Z223.1.
- 2.3 An approved gas valve or keyed valve shall be installed upstream of the unit and located in an accessible area that is within 5ft from the Architectural Pottery Unit..
- 2.4 Maintain good piping practice by keeping pipe length and elbows to a minimum to eliminate unnecessary pressure drops. (Do not use any flexible gas line)
- 2.5 Install the Architectural Pottery Unit as shown in Figures 1, 2 & 4. Figure 3 is an optional configuration to catch dirty run-off water.
- 2.6 Install Mounting Bracket as shown in Fig. 2. The Mounting Bracket should be secured using three bolts.
- 2.7 Center Bowl on top of Mounting Bracket. The Bowl should rest on top of the three spacers located on the Mounting Bracket. With hammer, carefully bend over metal prongs to secure bowl.
- 2.8 Install 90 elbow and gas hose at gas connection as shown in Fig. 2. Connect gas hose to Burner assembly.
- 2.9 With all gas connections tight, position Burner Assembly so that it sits level in the bowl. Rotate as required so that the gas hose rests in a compact position.

Important: The Mounting Bracket must be installed for proper cooling and drainage.

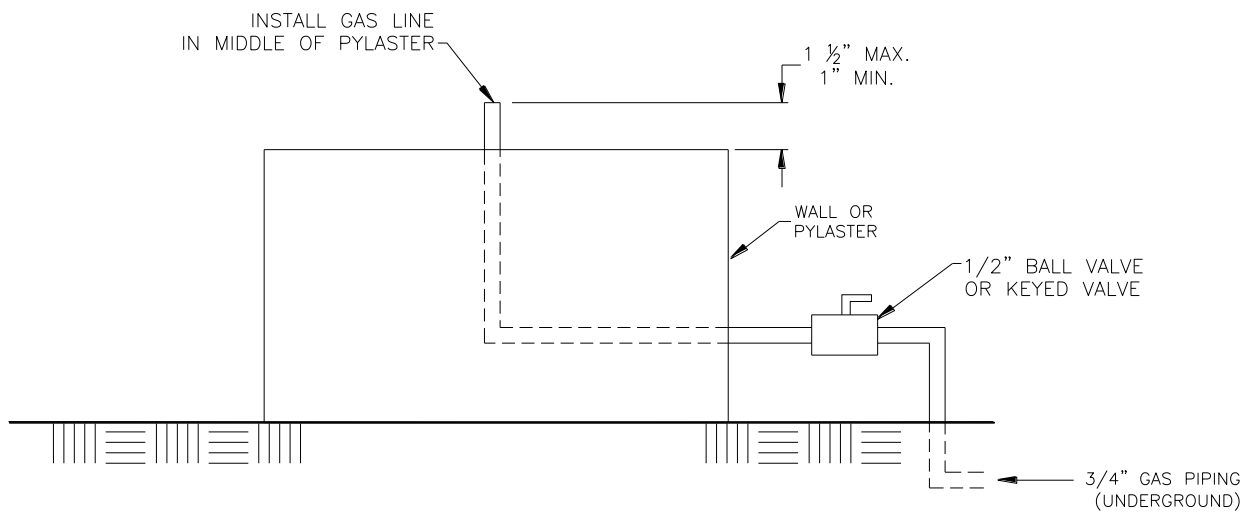


Figure 1

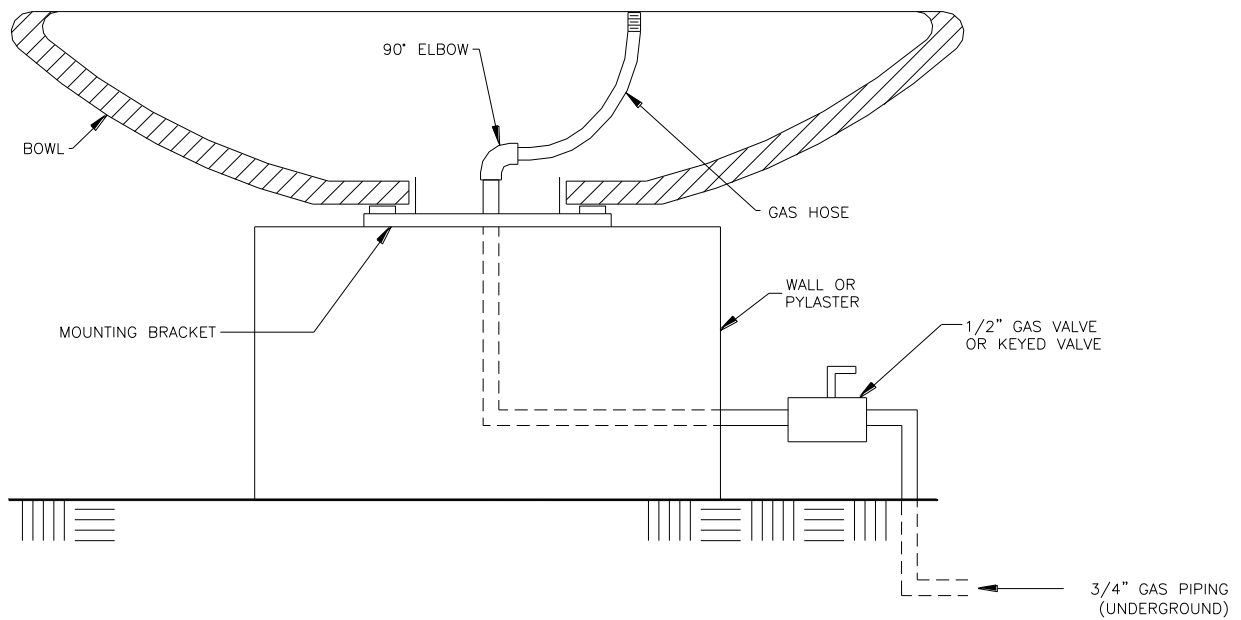
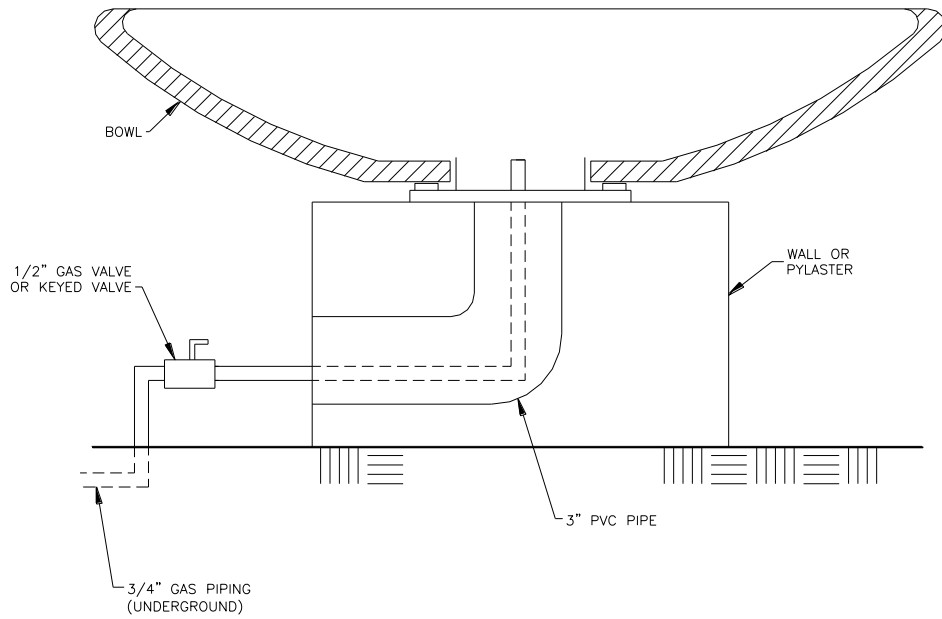


Figure 2



(Optional Drain Configuration)
Figure 3

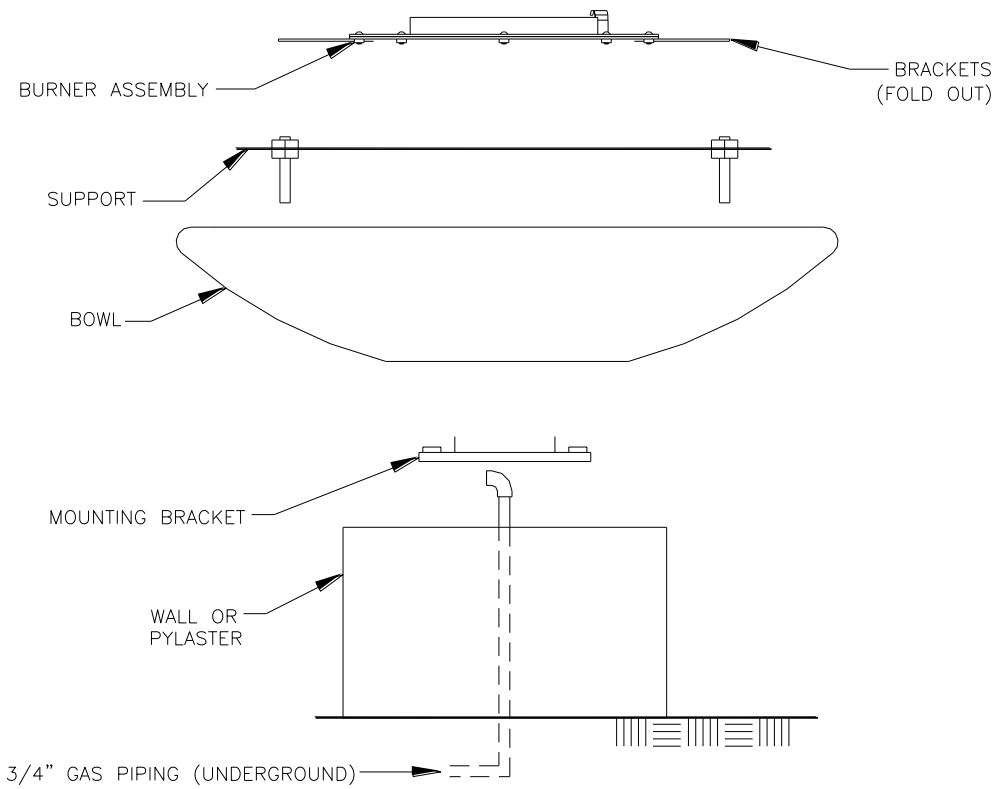


Figure 4

3.0 Operation

Warning: This unit is for outdoor use only

For your safety:

- 3.1 If you smell gas, shut off gas valve immediately.
- 3.1 Extinguish any open flame.
- 3.3 If odor continues, immediately call your gas supplier.
- 3.4 Do not store or use gasoline or other flammable vapors and / or liquids in the vicinity of this appliance.
- 3.5 Do not leave flame on while unsupervised.
- 3.6 Do not operate in windy or rainy conditions.
- 3.7 Unit should be operated only by a responsible adult.
- 3.8 When in use, an open flame is present, therefore, use with extreme care and at your own risk.
- 3.9 Before any inspection of the unit, always turn off gas and make sure the unit is cool.
- 3.10 If you experience problems with this unit, call Architectural Pottery or a licensed heating professional. All work on this unit shall be performed by a licensed heating professional.

Caution! Before you turn on the Architectural Pottery System, make sure that it is clear of people, animals or any objects that are combustible.

- 3.10 With the gas valve in the closed position, check the Architectural Pottery Unit for any gas smell or indication of a gas leak. If you smell gas or see evidence of a gas leak, do not operate the Unit. Immediately call your utility gas supplier to inspect the unit.
- 3.11 If there is no evidence of a gas leak, crack open the gas valve and immediately light the burner with an approved lighting device.
- 3.12 The height of the flame can be adjusted by opening or closing the ball valve as shown in Fig. 1.
- 3.13 To turn the Unit "OFF", close the gas valve to the fully closed position.
- 3.14 After the "Burner Assembly" has been lit, it can now be adjusted for flame size. The height of the flame can be adjusted by opening or closing the gas ball valve/key valve. Flame height should be adjusted to 10"-12". Excessive flame height can result in overheating of the burner.
- 3.15 Install decorative rock or glass on top of "Burner Support Plate" and "Burner". Larger lava rock is recommended (2"-4" in size). 5.8 Note: Do not use glass with propane installations. (If you use glass with natural gas, and you have more than a ¼" gap between inside wall and Support Plate, you will need to lay down stainless mesh screen to prevent glass from falling through) If you use ¼" pieces of lava it should be treated as a glass installation).

IMPORTANT: Do not use fire glass with propane installations!!

**CAUTION!! Lava Rock is an accepted medium for fire features. However, pieces may pop or explode when exposed to heat or when wet and exposed to heat.
Use caution when in immediate area.**

4.0 **Maintenance**

- 4.1 Periodically clean the Burner Assembly with a wet cloth or cleaning solution to remove carbon build-up. Frequency of the cleaning will depend on usage.
- 4.2 Periodically inspect the underside of the Burner Assembly for any signs of excessive temperatures.
- 4.3 Check that all gas connections are tight.

Note: If any problems are present, consult a licensed heating specialist or call Architectural Pottery.

ARCHITECTURAL POTTERY

1 year Limited Residential Warranty / 6 months Commercial

Architectural Pottery will replace, at its expense, any unit, which in normal use, has proven to be defective in workmanship or material, provided that the customer returns the product prepaid to Architectural Pottery with proof of product within one year and provides Architectural Pottery with reasonable opportunity to verify the alleged defect by inspection. Architectural Pottery will not be responsible for any asserted defect, which has resulted from misuse, abuse, repair or alteration. Under no circumstances will Architectural Pottery be liable for incidental or consequential damage resulting from defective products. This warranty is Architectural Pottery's sole warranty and sets forth the customer's exclusive remedy, with respect to defective products, all other warranties, expressed or implied, whether of merchantability, fitness for purpose or otherwise, are expressly disclaimed by Architectural Pottery. Architectural Pottery is not responsible for any injury or mishap related to misuse, abuse or lack of judgment choosing fire display locations.



ARCHITECTURAL POTTERY

15161 Van Buren Street, Midway City, CA 92655

Phone: 714.895.3359 • Fax: 714.898.5109

www.archpot.com