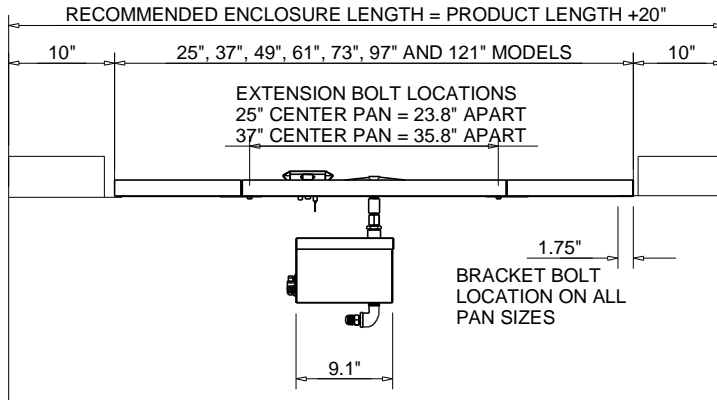


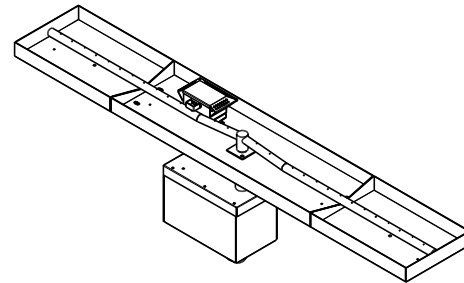


Hearth Products Controls Co
CSA CERTIFIED-OUTDOOR USE ONLY

HEARTH PRODUCTS CONTROLS
 3050 PLAINFIELD RD.
 KETTERING, OH 45432
 TOLL FREE: 1-877-433-7001
 PHONE: (937) 433-7000
 FAX: (937) 433-0704
 www.hpcfire.com



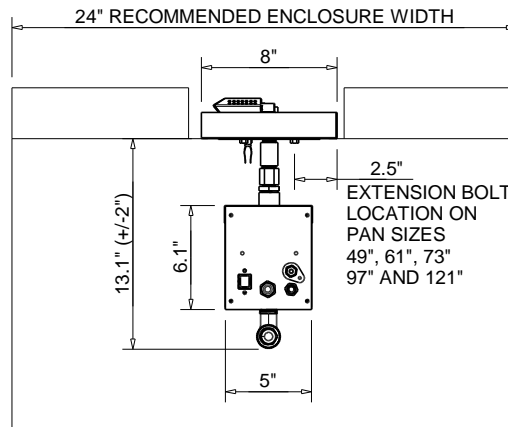
FRONT ELEVATION



ISOMETRIC VIEW

*AVAILABLE IN 120VAC OR 24VAC

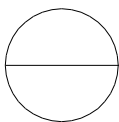
PART NUMBERS	STND BTU
25X8SSHWI-L	50K
37X8SSHWI-L	75K
49X8SSHWI-L	100K
61X8SSHWI-L	125K
73X8SSHWI-L	150K
97X8SSHWI-L	200K
121X8SSHWI-L	250K



SIDE ELEVATION

Notes:

1. FOR USE WITH FIXED PIPING SYSTEMS ONLY.
2. NOT FOR USE WITH SMALL TANKS.
3. ALL ENCLOSURES REQUIRE 2 each 18 SQ/IN VENTS ON OPPOSING SIDES AND ADEQUATE DRAINAGE.
4. RESIDENTIAL GAS PRESSURE ONLY. (NG- 7.0" WC, LP- 11.0" WC)
5. MODIFICATION OF PRODUCT WILL VOID ANY CERTIFICATION AND WARRANTY.
6. FOLLOW ALL MANUFACTURER INSTALLATION INSTRUCTIONS AND LOCAL CODES.
7. ALL DIMENSIONS ARE CONSIDERED TRUE AND REFLECT MANUFACTURER'S SPECIFICATIONS AS OF THE REVISION DATE.
8. DO NOT SCALE DRAWING.
9. THESE DRAWINGS ARE FOR SIZING AND PLANNING PURPOSES. ALL INFORMATION CONTAINED HEREIN WAS CURRENT AT THE TIME OF DEVELOPMENT. THE MANUFACTURE IS RESPONSIBLE FOR THE ACCURACY OF THE DRAWING.
10. CONTRACTOR'S NOTE: FOR PRODUCT AND COMANY INFORMATION VISIT www.CADdetails.com/info REFERENCE NUMBER 771-026.



HWI FIRE PIT INSERT
 HWI LINEAR - FLAME SENSING WITH ELECTRONIC HOT WIRE IGNITION